

# AireSafe

## Parts and Service Manual

---

# VacSafe

## 240V WET DRY HEPA VACUUM

---

 +61 7 3276 7833

 [www.airesafe.com](http://www.airesafe.com)

 [sales@breathe-safe.com](mailto:sales@breathe-safe.com)

 62 Mica Street, Carole Park, 4300, QLD | 122 S River St, Janesville, WI 53548

Controlled Document: M0303

Issue Date: 18/01/24

Revision: 1

## CONTENTS

- Overview / Safety ..... 1
- Parts List ..... 2
- Installation / Accessories ..... 3-5
- Warning ..... 6
- Maintenance / Servicing ..... 7
- Frequently Asked Questions ..... 8



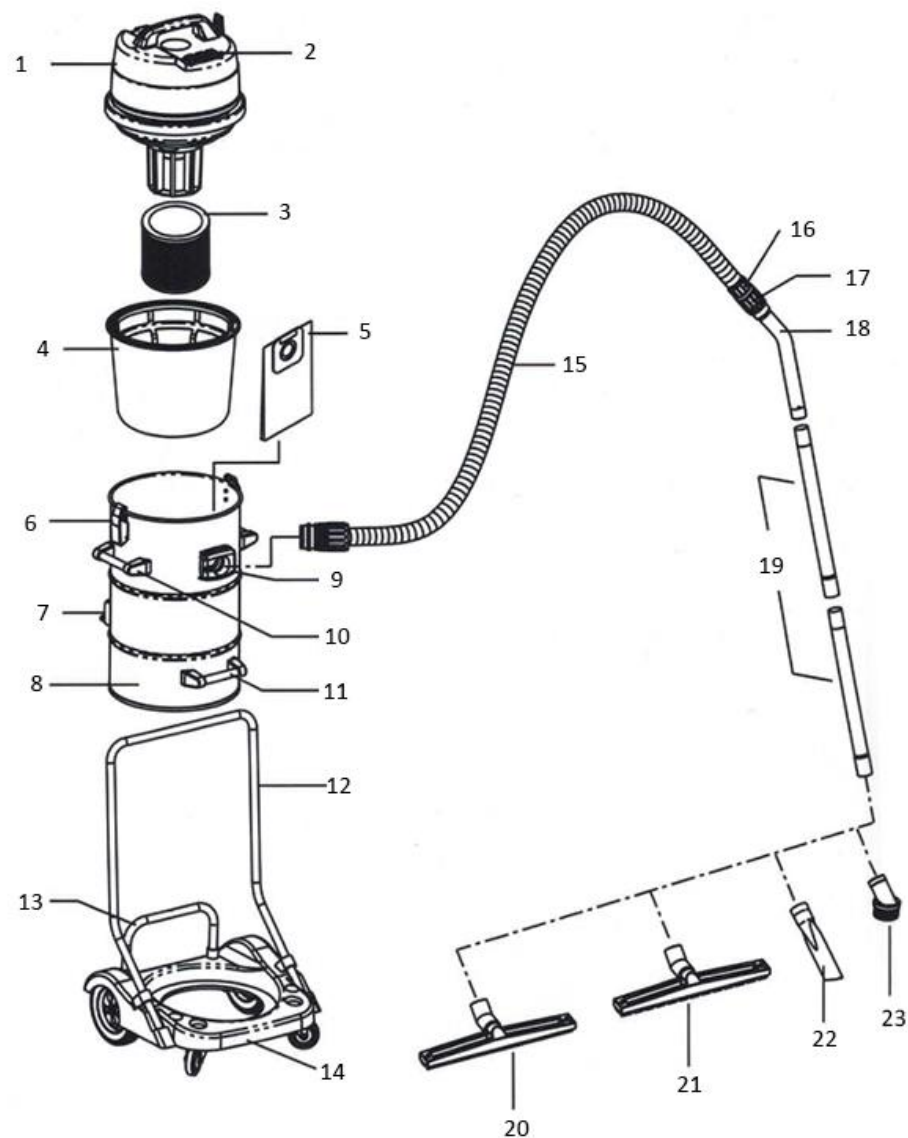
## WARNING

1. **DO NOT** immerse or wash the vacuum in water - to avoid electric shock.
2. **DO NOT** tilt or drop the cleaner.
3. **DO NOT** use the vacuum for hot embers.
4. **DO NOT** open vacuum cleaner – electric shock hazard. (Servicing by qualified technicians only).
5. **DO NOT** attempt to clean the filter.

Specification	
Model No:	3238W
Voltage:	220V – 240V 50/60 Hz
Power:	3600 W
Stainless Tank Capacity:	77 L

### PARTS LIST

Item No.	Description	Qty
1	Top Head	1
2	Switch	1
3	Filter Cartridge	1
4	Filter with Frame	1
5	Fleece Bag	1
6	Clip	1
7	Button of Reversing	1
8	Stainless Tank	1
9	Suction Coupler	1
10	Handle	1
11	Handle	1
12	Grip Handle	1
13	Support Pipe	1
14	Dolly	1
15	Flexible Hose	1
16	Wand Connector	1
17	Fixed Groove	1
18	Krümmer	1
19	Extension Wand	1
20	Squeegee Nozzle	1
21	Brush Nozzle	1
22	Crevice Tool	1
23	Brush	1



#### Application

There are 3 motors inside of the vacuum cleaner. With high power, powerful suction, and minimum noise, it is widely applied in shops; airports; exhibition halls; conference rooms and various public occasions. Controlled respectively by two switches, the two motors can be operated simultaneously or separately. That brings a great convenience to the user who can choose to start any number of motors to suit the occasion. The product is reasonably designed to save energy for household applications.

#### Caution

1. The voltage of your power supply must be consistent with that specified in the instructions (as fig. 1).
2. After each use, hold the power plug and pull it out from the power socket. Do not use force on the cord (as fig. 2).

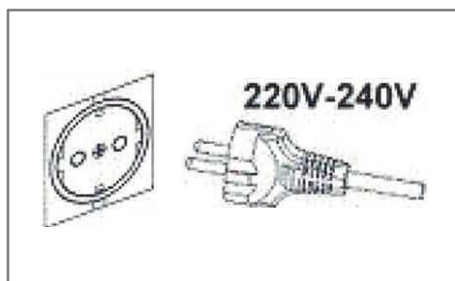


Figure 1

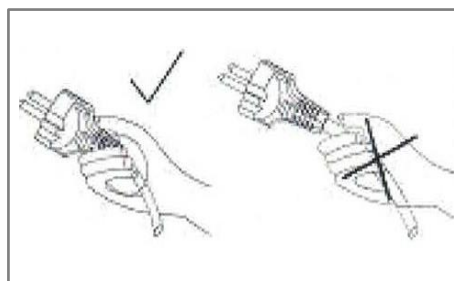


Figure 2

#### How to Remove the Filter Cartridge

Note: filter cartridge also for wet use, please keep this filter cartridge for wet and dry operation.

Push metal clip according to the arrow direction (as fig. 3), then remove the filter cartridge (as fig. 4).

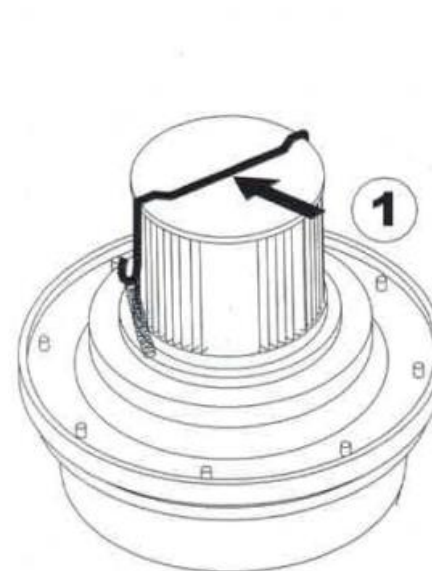


Figure 3

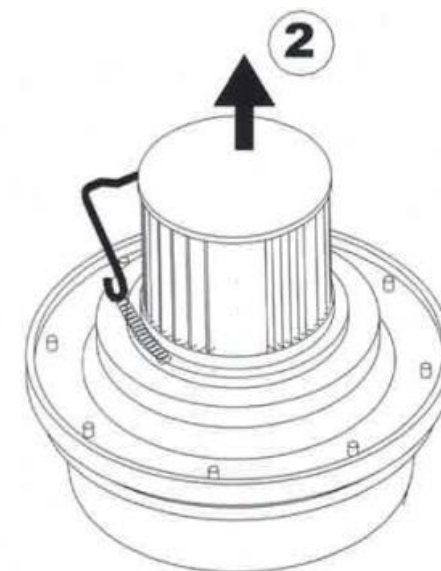


Figure 4

### HOW TO USE THE ACCESSORIES

#### Connection of Suction Coupler & Hose

To use, insert the hose to the suction coupler tightly. To pull out, push the knob outward and pull out the hose (as fig. 5).

#### Extension Wand and Nozzles

Insert the smaller end of an extension wand into the larger end of the other wand (as fig. 6).

Note: Filter cartridge also for wet use, please keep this filter cartridge for wet and dry operation.

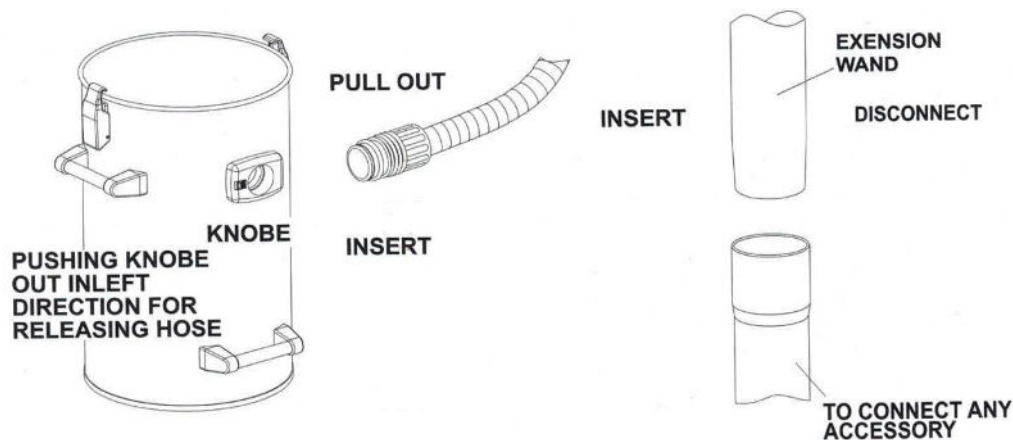


Figure 5

Figure 6

#### Replacement of Brush and Blade

1. Rotate the holder by 90 degrees with clockwise direction.
2. Pull out brush strip or rubber blade for replacement or cleaning.
3. Complete releasing brush strip and rubber blade (fig. 7).

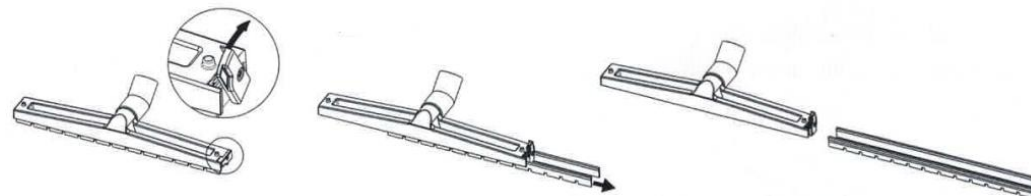


Figure 7

#### Brush Nozzle

It is applicable for cleaning floors and carpets.

#### Squeegee Nozzle

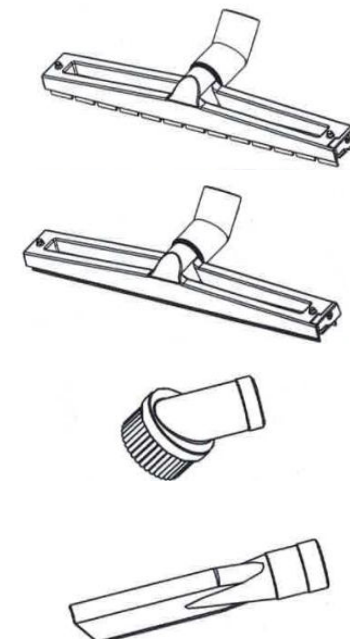
It is applicable for vacuuming water on the floor.

#### Round Brush

It is applicable for table-tops, thresholds, window, curtains, and air conditioner brackets.

#### Crevice Tool

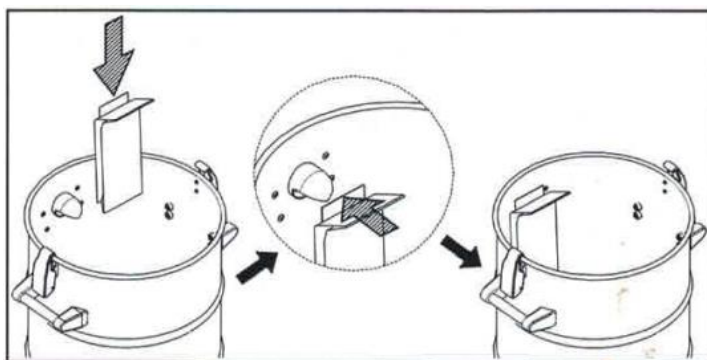
It is applicable for corners and narrow areas.



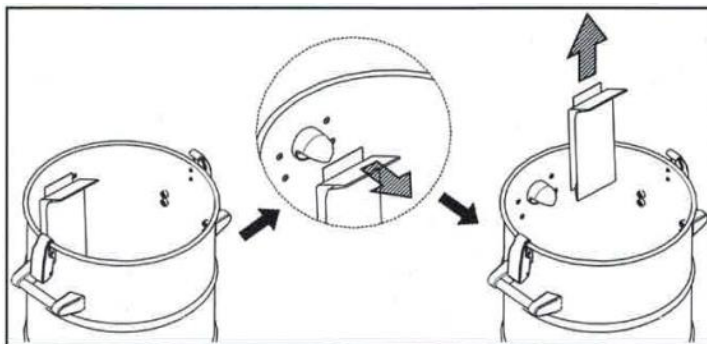
### HOW TO USE THE ACCESSORIES

#### How to Assemble and Disassemble Fleece Bag:

**Assembly:** Insert fleece bag into the suction coupler (as below).



**Disassembly:** Remove fleece bag from suction coupler (as below).



#### How to Empty the Tank:

When the tank is full, use the overturning mechanism to empty the tank. First, remove the top head, take out the filter with frame (as fig. 12), then unlock the knob (as fig. 13), and step foot on the trolley whilst holding the grip handle with one hand and lifting the handle with the other hand (as fig. 14) to empty tank.

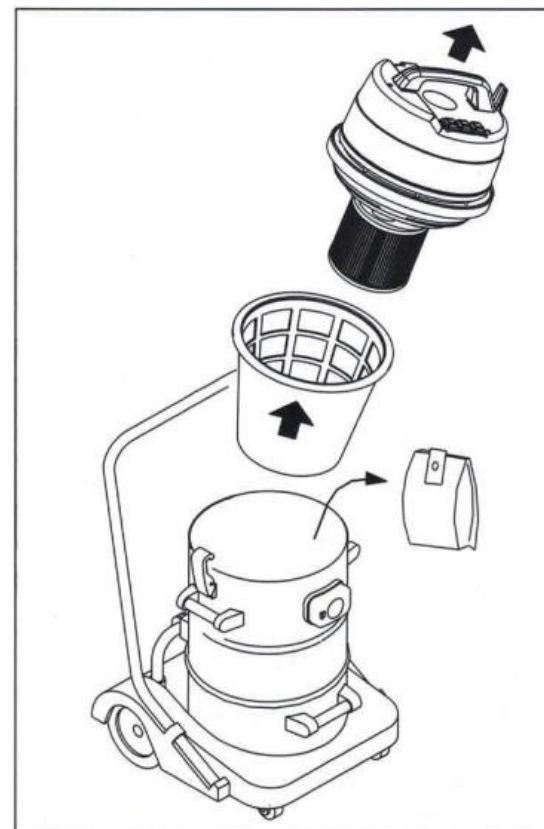


Figure 12

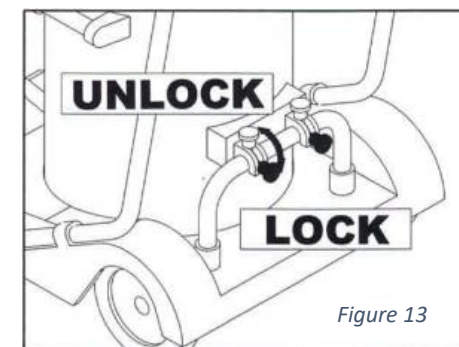


Figure 13

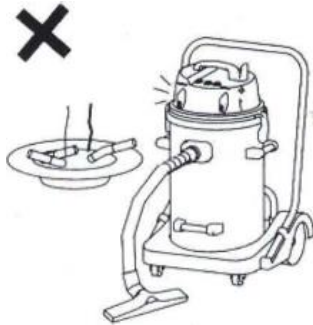


Figure 14

### WARNING

#### WARNING

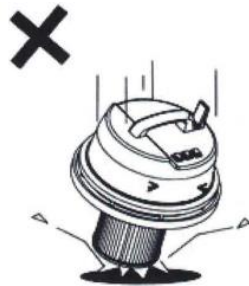
**DO NOT** vacuum hot ash. Extinguish heat before cleaning a grate of grid.



**DO NOT** IMMERSE APPLIANCES IN WATER OR EXPOSE IT TO RAIN.



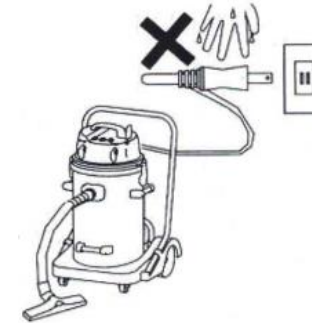
**DO NOT** stand top head in inclination position.



**DO NOT** vacuum inflammable or combustible substances.



When disconnecting the power cable, **DO NOT** pull on the cable only, hold the plug to disconnect by hand.



Leave servicing to qualified technicians only.



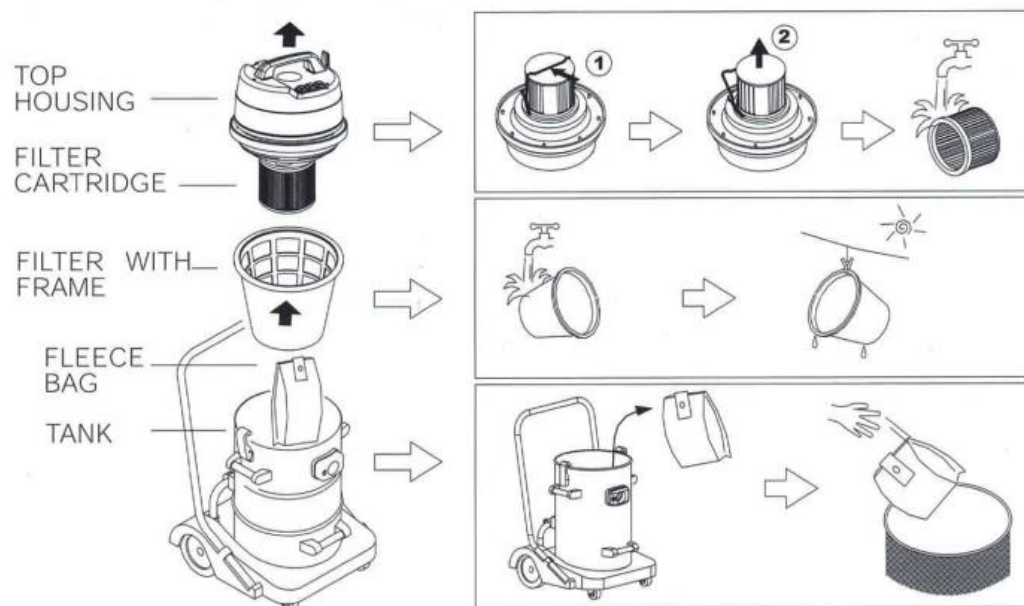
### MAINTENANCE AND SERVICING

To dismantle, unclip both latches and remove top housing and filter with frame.

Wash filter cartridge and fabric filter with clean water after operation.

When fleece bag is full, please remove it out, then insert a new bag for next use.

NOTE: Fleece bag is for dry use, such as for collecting dust, powder etc.



Replace the filter and top housing and fasten latches.

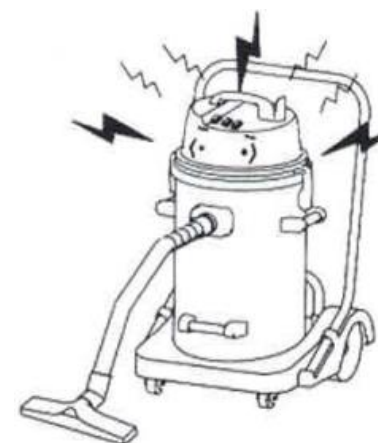
#### Refer to Water Level Safety Device

When the water level in the tank exceeds the safety level, the safety device will automatically block the inlet and motor turning sound will be changed, but power will remain ON, please switch off the power before pouring out the water in the tank.



#### Refer to the Action Sound

This cleaner is designed with a powerful suction. Do not be alarmed if the motor noise increases when performing tougher cleaning work.





### FREQUENTLY ASKED QUESTIONS

#### What are HEPA filters?

HEPA is a type of filter that can trap a large number of very small particles that other vacuum cleaners would simply recirculate back into the air of your home. HEPA vacuums are recommended for minimising duct, dander, and other common allergens in homes where people suffer from allergies and respiratory conditions.

#### Why use HEPA filters?

Whether you're cleaning a small closet or your entire home, you should never use a vacuum cleaner without a HEPA filter. The problem with 'regular' vacuum cleaners is the fact that they spread dust and allergens around in the air rather than removing them, which essentially makes the problem worse.

#### Why use our HEPA filters?

HEPA-type filters may be made in similar ways to true HEPA filters and may even resemble them. However, they do not have to meet the same standards as true or absolute HEPA filters.

Our HEPA filters are certified to remove 99.97% of all airborne contaminants at the 0.3-micron size range.

#### Can HEPA vacuum cleaners help with allergies?

Air pollution isn't just car exhaust or factory smoke. Dust mites, mould spores, pollen, and pet dander in the air inside your home can cause problems if your family has allergies or asthma. Using HEPA filters can trap these pollutants and may help bring allergy relief.

#### HEPA vacuum cleaners on work / construction sites?

Engineered for dusty environments that require regular cleaning, our HEPA filter is designed with high capacity in mind. An economical, easily maintained prefilter stops larger particles of debris while the HEPA filter handles small matter. All VacSafe filters are 100% tested in strict accordance with regulations for minimum 99.97% filtration at the 0.3-micron level to meet HEPA standards.

#### Are HEPA filter vacuums worth it?

If you have asthma or allergies or are just generally concerned with air quality, a vacuum with a HEPA filter will be worth your consideration.

#### How long will my HEPA filter last?

HEPA filters need to be replaced every three to six months for optimum performance.

#### Can HEPA filters be washed?

When working with hazardous materials it is not recommended to wash and reuse the filters. When washing, those harmful particulates are rereleased into the atmosphere and potentially back into breathing zones.

Most HEPA filters are unable to be washed. We have one filter that can be washed and reused, it depends on the environment. Contact us to learn more.

#### Which vacuum cleaner is right for me?

For office, shed, workplace, construction sites – our model 3238w is an industrial wet /dry vacuum cleaner perfect for the harder to clean jobs.

Truck, forklift, boat, car, trailer – suits our model TV4 24V.

#### What warranty comes with the vacuums?

Our HEPA vacuum cleaners come with a 12-month warranty.