

AireSafe

Parts and Service Manual

VacSafe

24V HEPA VACUUM

CONTENTS

Overview / Safety	1
Specifications	2
Parts List TV4	3
Parts List TV4X	4
Parts List TV2409	5
Installation	6
Installation / Accessories	7-8
Frequently Asked Questions	9



WARNING

1. **DO NOT** immerse or wash the vacuum in water - to avoid electric shock.
2. **DO NOT** tilt or drop the cleaner.
3. **DO NOT** use the vacuum for hot embers.
4. **DO NOT** open vacuum cleaner – electric shock hazard. (Servicing by qualified technicians only).
5. **DO NOT** attempt to clean the filter.

CAUTION:

1. Please stop operation if the vacuum cleaner stops working and return the unit to an authorised service centre.
2. When vacuum suction capacity slows down or motor shuts down:
 - a. Check the nozzle, flexible hose, extension pipes to see if they are blocked or need cleaning.
 - b. If clear, then replace the filter cartridge.
 - c. Please note that HEPA filters cannot be cleaned.

To dispose of the old filter, install the sealing plug & dispose of it safely.

- If the power cord is damaged, it should be replaced by a qualified electrician.
- Do not connect an extension cord that does not match Australian specifications.

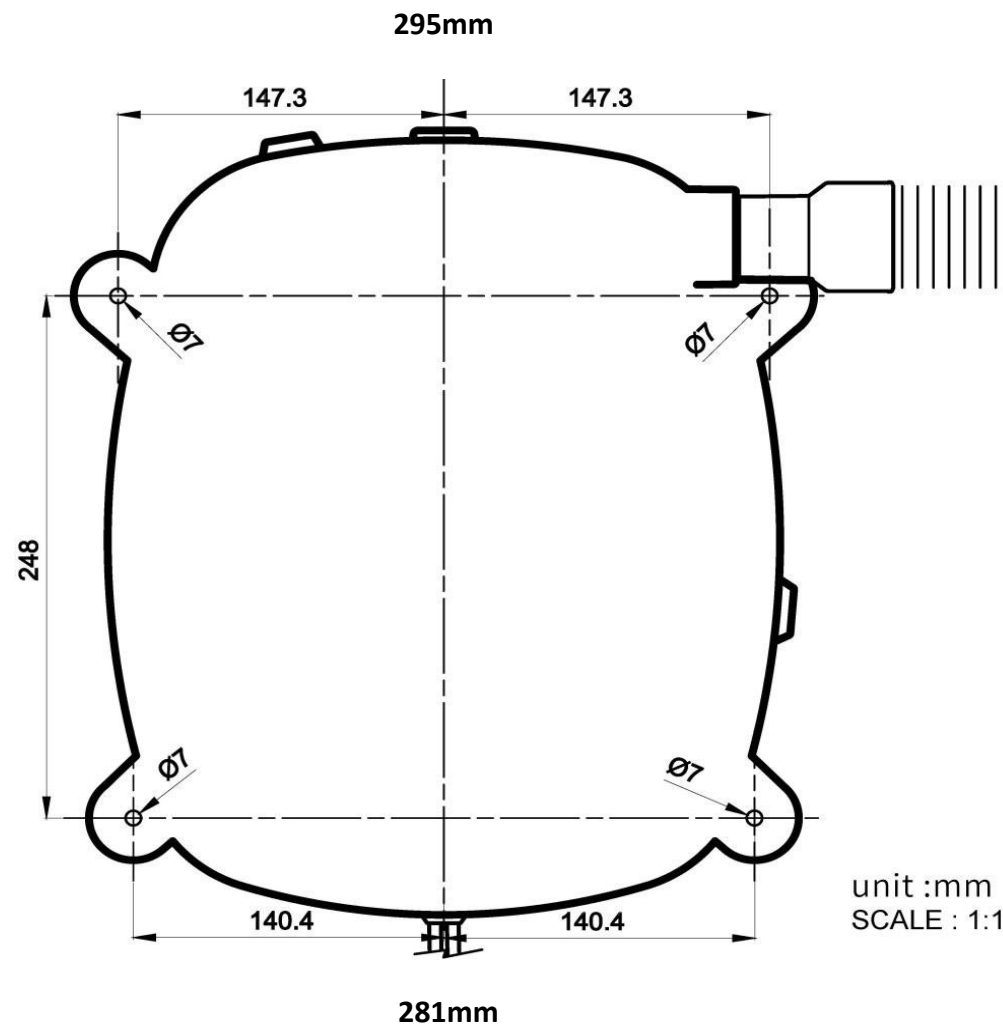
SPECIFICATIONS

Specification TV4 / TV4X:

Voltage / Frequency	DC 24 ~ 28V
Amperage	Max 24 Amps (soft start)
Power Rating (Watts)	650 ~ 730 W
Suction Power	200 W
Power Cord Length	35 cm
Tank Capacity	6.2 L
Weight	6 KGS

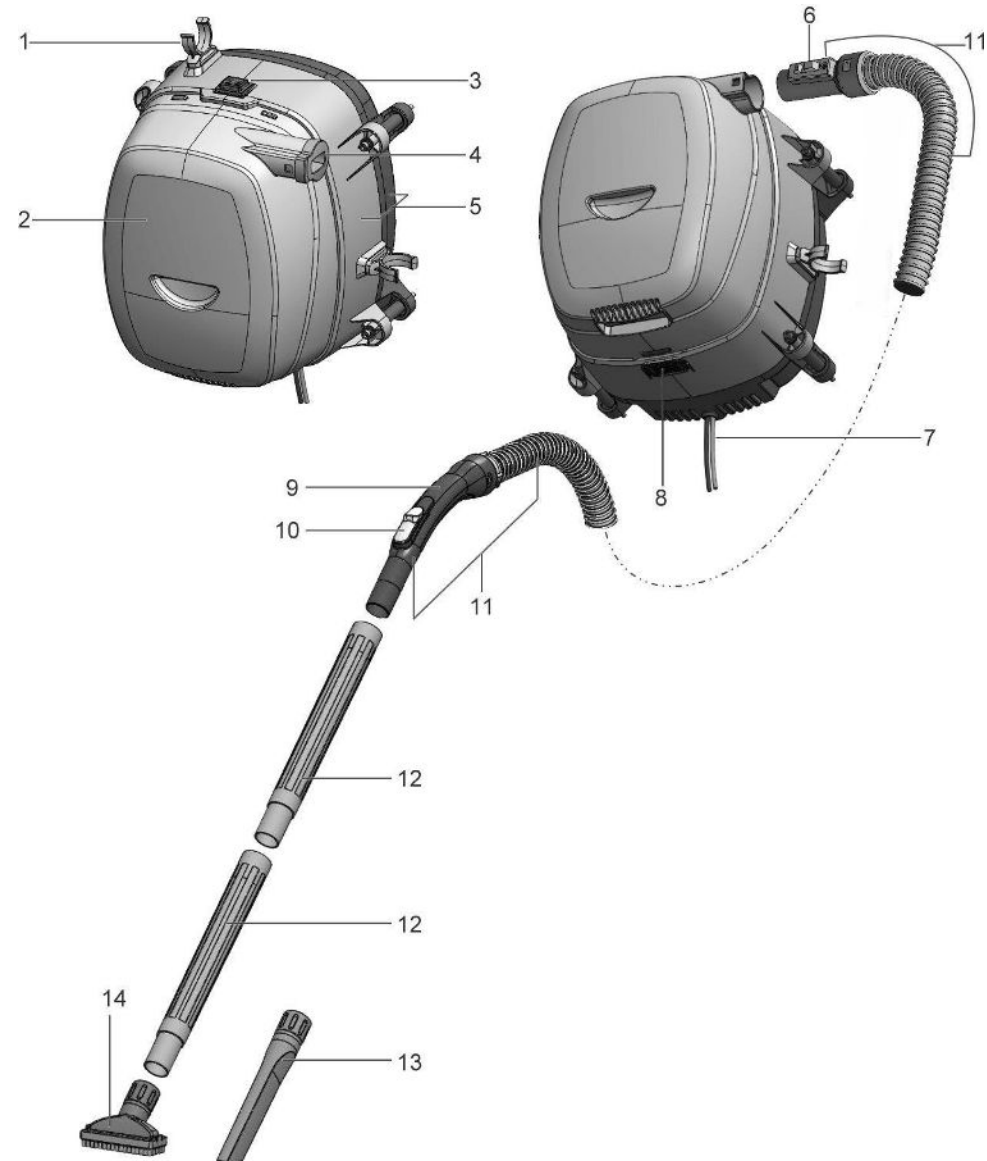
Specification TV2409:

Voltage / Frequency	AC 230V
Amperage	Max 3 Amps (soft start)
Power Rating (Watts)	700 W
Suction Power	200 W
Power Cord Length	5 M
Tank Capacity	6.2 L
Weight	5 KGS



PARTS LIST – TV4

Item No.	Description	Qty
1	Hose Clip	1
2	HEPA Filter Cartridge	1
3	Power Switch	1
4	Filter Sealing Plug	1
5	Motor Base	1
6	Hose Connector	1
7	Power Cord	1
8	Filter Release Button	1
9	Bend Connector	1
10	Air Adjuster	1
11	Hose Set	1

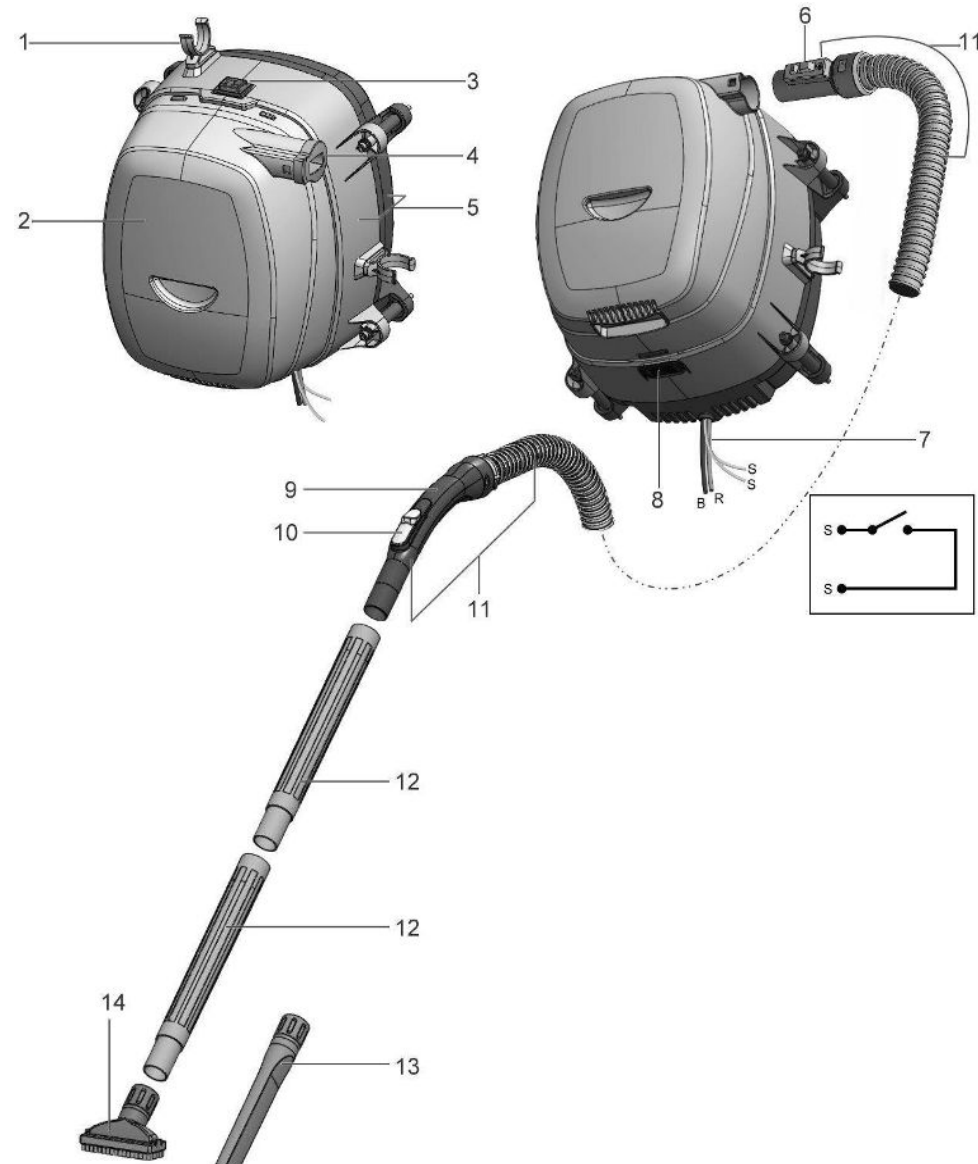


Accessories:

Item No.	Description	Qty
11	Hose Set	1
12	Extension Pipe	2
13	Crevice Tool	1
14	Upholstery Nozzle	1

PARTS LIST – TV4X

Item No.	Description	Qty
1	Hose Clip	1
2	HEPA Filter Cartridge	1
3	Cover	1
4	Filter Sealing Plug	1
5	Motor Base	1
6	Hose Connector	1
7	Power Cord	1
8	Filter Release Button	1
9	Bend Connector	1
10	Air Adjuster	1
11	Hose Set	1



Accessories:

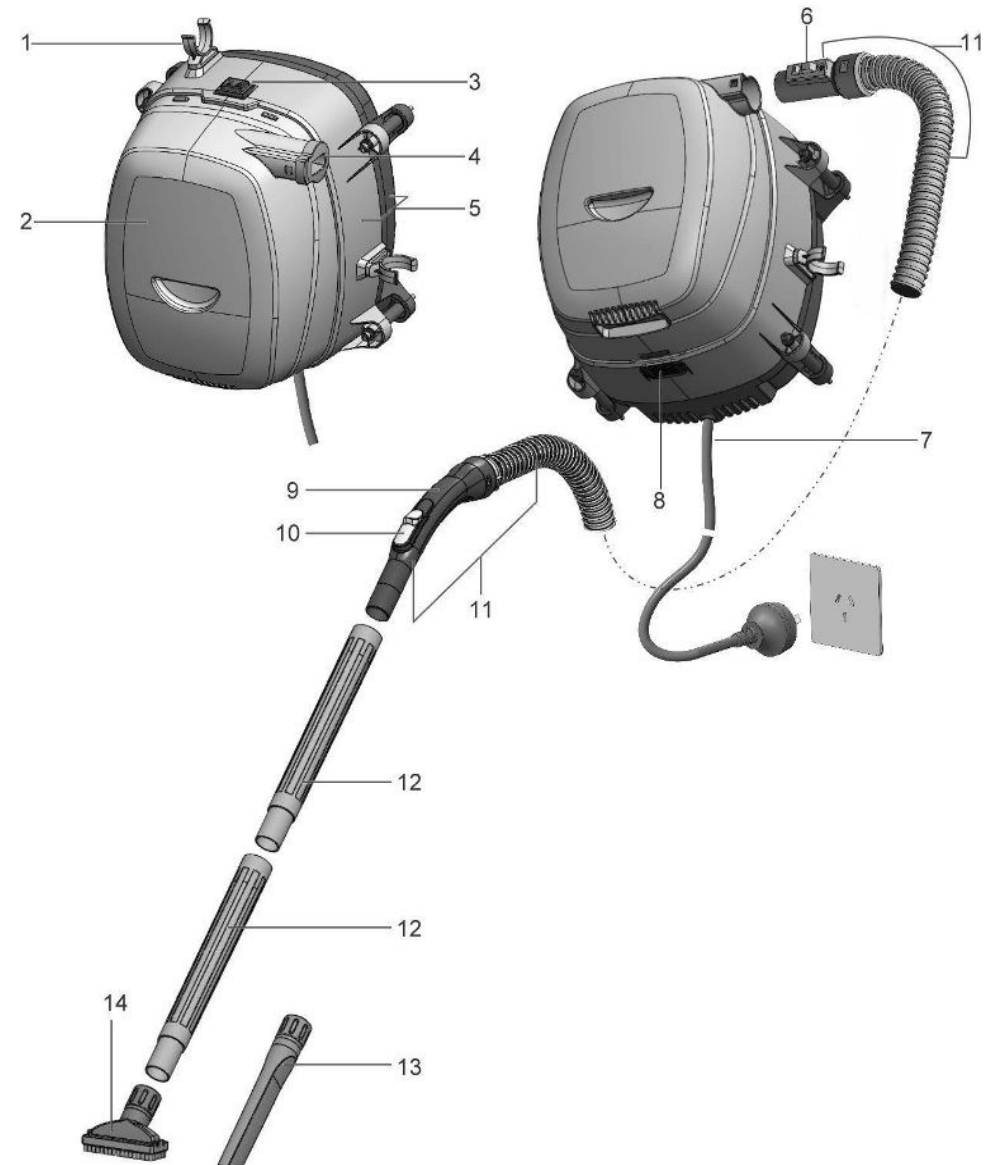
Item No.	Description	Qty
11	Hose Set	1
12	Extension Pipe	2
13	Crevice Tool	1
14	Upholstery Nozzle	1

PARTS LIST – TV2409

Item No.	Description	Qty
1	Hose Clip	1
2	HEPA Filter Cartridge	1
3	Power Switch	1
4	Filter Sealing Plug	1
5	Motor Base	1
6	Hose Connector	1
7	Power Cord	1
8	Filter Release Button	1
9	Bend Connector	1
10	Air Adjuster	1
11	Hose Set	1

Accessories:

Item No.	Description	Qty
11	Hose Set	1
12	Extension Pipe	2
13	Crevice Tool	1
14	Upholstery Nozzle	1



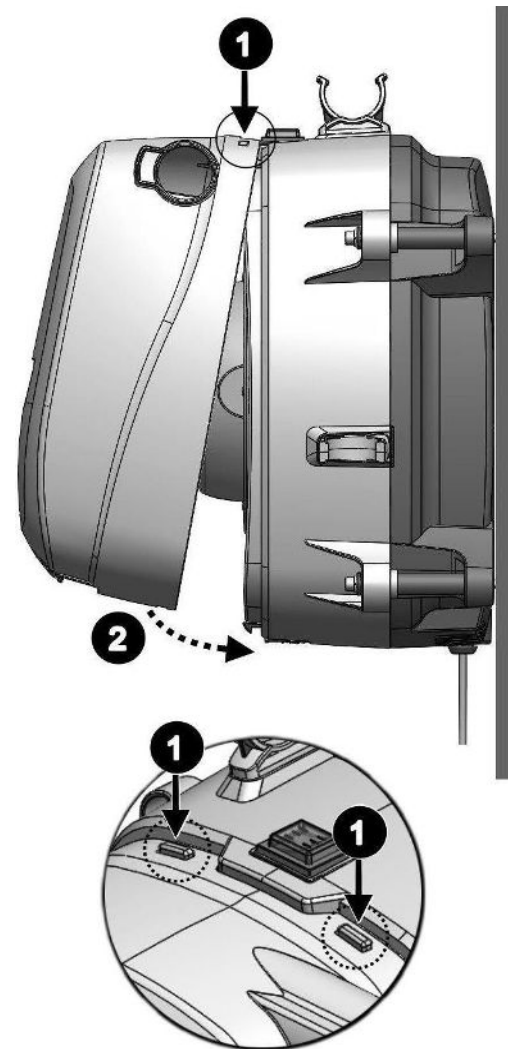
HEPA FILTER CARTRIDGE INSTALLATION

Installation of HEPA Filter Cartridge

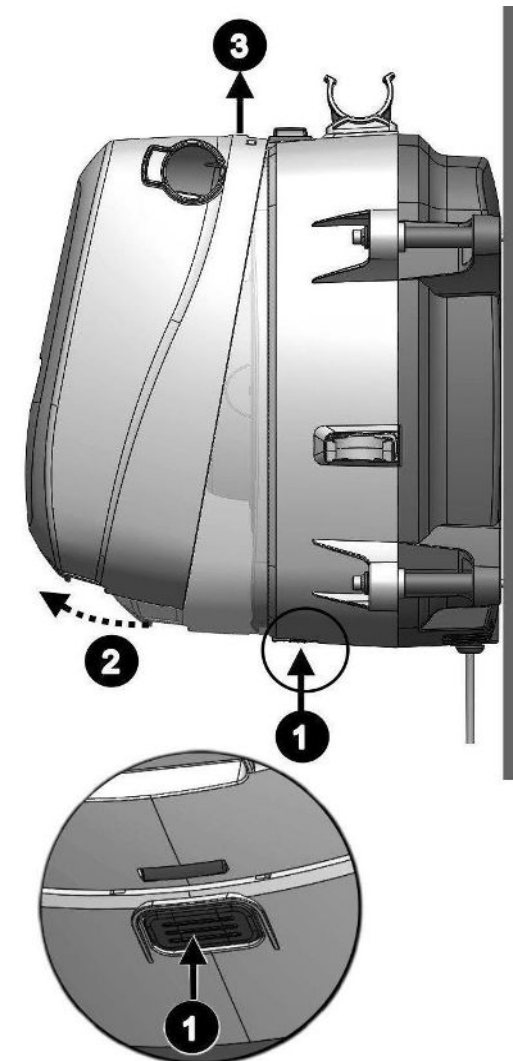
1. Please align the two holes in the HEPA filter cartridge with the two tabs on the motor body, gently press into place.
2. Allow filter to hinge on these two tabs.
3. Press the filter down & in until the spring-loaded button clips into place (as above 2).

Removal of HEPA Filter Cartridge

1. Remove hose & install filter sealing plug (item 4, new one supplied with new filter).
2. Push the filter release button to release the filter cartridge (as above 1).
3. Then filter cartridge will spring back from the motor body (as above 2).
4. Lift filter gently up and off the two top tabs (as above 3).
5. Install new HEPA filter.



Installation of HEPA Filter Cartridge



Removal of HEPA Filter Cartridge

Hose Installation and Release

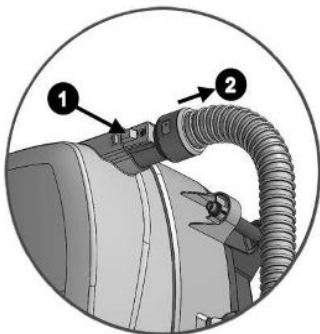
Installation

Remove filter cartridge sealing plug and connect hose into the suction hole. - *Save the plug.



Release

Press button down of connector to release hose.

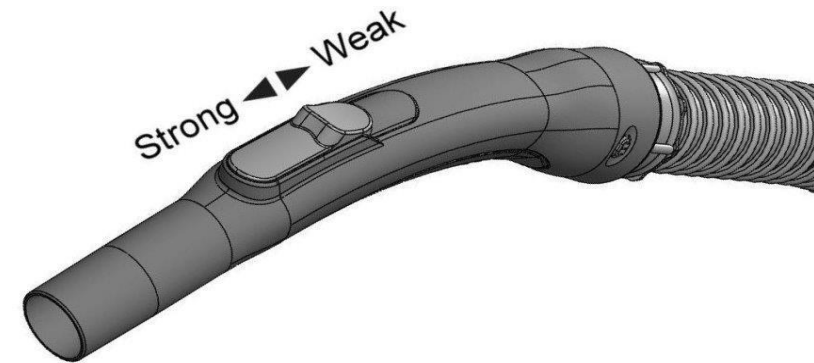


Air Adjuster Function

Function

If you would like to increase or decrease suction, you can alter the airflow adjuster by the above operation showing.

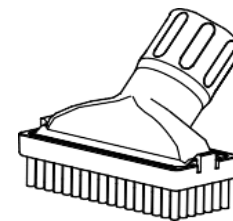
Closing the adjuster off will give you full airflow (max capacity).



Purposes of Nozzles

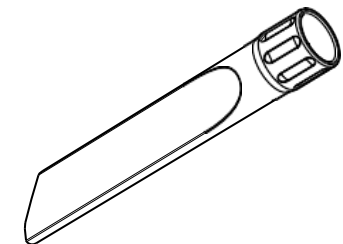
Upholstery Nozzle

Purpose: for a small area such as a seat, window, under a desk, etc.



Crevice Tool

Purpose: for window, narrow groove, corner, etc.



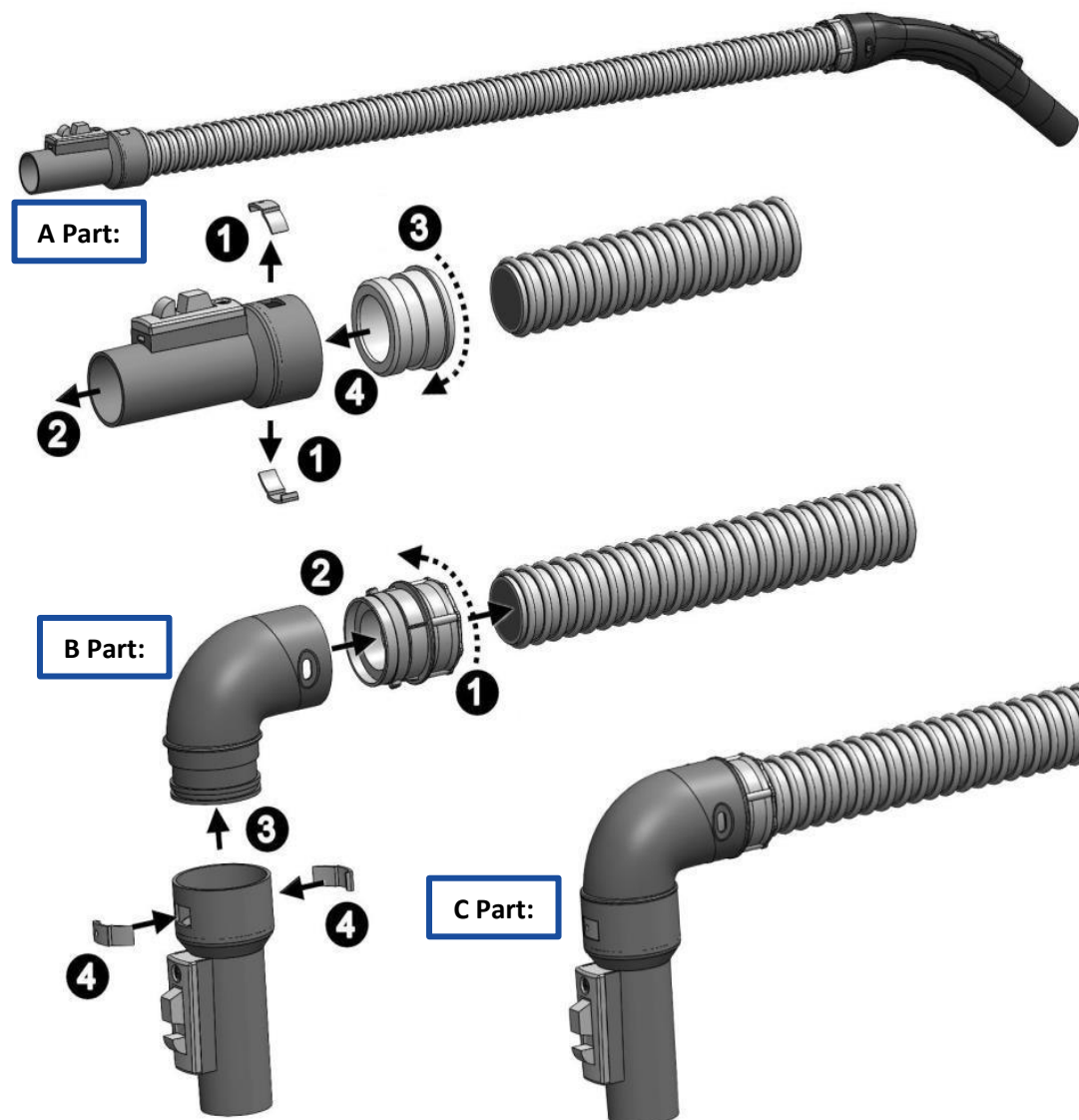
How to Change Connector of Hose

Disconnection (as A part)

1. Take a small flat screwdriver and insert it into the round hole of connecting piece (item 1), then flick out.
2. Remove connector (as 2).
3. Then turn counterclockwise direction to remove out inner connector (as 4).

Installation of 90Deg Elbow (as B part)

1. Rotate the inner connector into the hose until tight (item 1), turning in a clockwise direction.
2. Align the two holes in the 90Deg elbow with the two bumps, then press into the joint (2).
3. Then insert hose connector into 90Deg elbow (as 3).
4. Insert hose connector into 90Deg elbow and then slide connecting pieces on both sides of the hose connector to complete the hose assembly job (as C part).



FREQUENTLY ASKED QUESTIONS

What are HEPA filters?

HEPA is a type of filter that can trap a large number of very small particles that other vacuum cleaners would simply recirculate back into the air of your home. HEPA vacuums are recommended for minimising dust, dander, and other common allergens in homes where people suffer from allergies and respiratory conditions.

Why use HEPA filters?

Whether you're cleaning a small closet or your entire home, you should never use a vacuum cleaner without a HEPA filter. The problem with 'regular' vacuum cleaners is the fact that they spread dust and allergens around in the air rather than removing them, which essentially makes the problem worse.

Why use our HEPA filters?

HEPA-type filters may be made in similar ways to true HEPA filters and may even resemble them. However, they do not have to meet the same standards as true or absolute HEPA filters.

Our HEPA filters are certified to remove 99.97% of all airborne contaminants at the 0.3-micron size range.

Can HEPA vacuum cleaners help with allergies?

Air pollution isn't just car exhaust or factory smoke. Dust mites, mould spores, pollen, and pet dander in the air inside your home can cause problems if your family has allergies or asthma. Using HEPA filters can trap these pollutants and may help bring allergy relief.

HEPA vacuum cleaners on work / construction sites?

Engineered for dusty environments that require regular cleaning, our HEPA filter is designed with high capacity in mind. An economical, easily maintained prefilter stops larger particles of debris while the HEPA filter handles small matter. All VacSafe filters are 100% tested in strict accordance with regulations for minimum 99.97% filtration at the 0.3-micron level to meet HEPA standards.

Are HEPA filter vacuums worth it?

If you have asthma or allergies or are just generally concerned with air quality, a vacuum with a HEPA filter will be worth your consideration.

How long will my HEPA filter last?

HEPA filters need to be replaced every three to six months for optimum performance.

Can HEPA filters be washed?

When working with hazardous materials it is not recommended to wash and reuse the filters. When washing, those harmful particulates are rereleased into the atmosphere and potentially back into breathing zones.

Most HEPA filters are unable to be washed. We have one filter that can be washed and reused, it depends on the environment. Contact us to learn more.

Which vacuum cleaner is right for me?

For office, shed, workplace, construction sites – our model 3238w is an industrial wet /dry vacuum cleaner perfect for the harder to clean jobs.

Truck, forklift, boat, car, trailer – suits our model TV4 24V.

What warranty comes with the vacuums?

Our HEPA vacuum cleaners come with a 12-month warranty.